



LUMATEC®

The entire spectrum for evidence detection at crime scenes

NEW PRODUCTS FOR 2024 FROM THE SUPERLITE M 05 SYSTEM

SUPERLITE M 05 MULTIHEAD: ONE HEAD FOR ALL WAVELENGTHS!



Fig. shows battery pack II with M 05 multihead

With the new “Multihead” of the M 05 series, up to six different LEDs can be integrated into one head. By simply turning the housing, the excitation wavelength (including 365nm, 390nm, 405nm, 445nm, 530nm, 620nm and white light) can be changed, thus enabling a quick and comprehensive evidence detection at the crime scene! The simplified handling compared to the use of several single wavelength heads, the significantly lower weight and the new housing design, which prevents rolling on flat surfaces, are the most important further developments within the successful M 05 series.

Features and advantages of the new M 05 Multihead:

- 4 to 6 different LEDs of different wavelengths are integrated in one head (change between the wavelengths by simply rotating the housing).
- Compared to several single wavelength heads, one multihead is significantly lighter (one single head approx. 200g, multi-head approx. 300g). In addition, the handling is simplified, especially in the dark!
- Hexagonal anti-rolling design prevents drops and enables the creation of grazing light close to the ground.
- In combination with the new battery pack II, twist-proof connection that prevents damage due to incorrect operation.
- New design of the ventilation slots, not hindering the air flow when used with the M 05 belt bag.
- The new multihead can also be combined with the old battery packs as well!

2350.0051 Superlite M 05 / Multihead x6 / 365nm, 390nm, 405nm, 445nm, 530nm, 400-700nm

2350.0052 Superlite M 05 / Multihead x5 / 365nm, 390nm, 405nm, 445nm, 400-700nm

2350.0053 Superlite M 05 / Multihead x4 / 365nm, 405nm, 445nm, 620nm

Note: Compared to the new M05 multiheads, the single wavelength heads have a slightly higher light output and an adjustable light cone.

NEW M 05 BATTERY PACK II FOR MAINS-OPERATED CONTINUOUS USE AND INTEGRATED 1/4" THREADED HOLE



The new housing design (1) prevents rolling on flat surfaces. The battery pack II is now also suitable for continuous operation with the help of a mains connection socket (2) and works with all M 05 heads. A charging adapter is no longer needed and the charging status can be checked via the LED (3). The 1/4" threaded hole (4) for mounting on the tripod is integrated into the housing. A guide with a pin (5) enables a twist-proof connection to the new LED multiheads, which effectively prevents damage due to incorrect handling.

2350.0060 Superlite M 05 Battery pack II
2350.0061 Superlite M 05 / Charger for Battery pack II (Mains + Car)

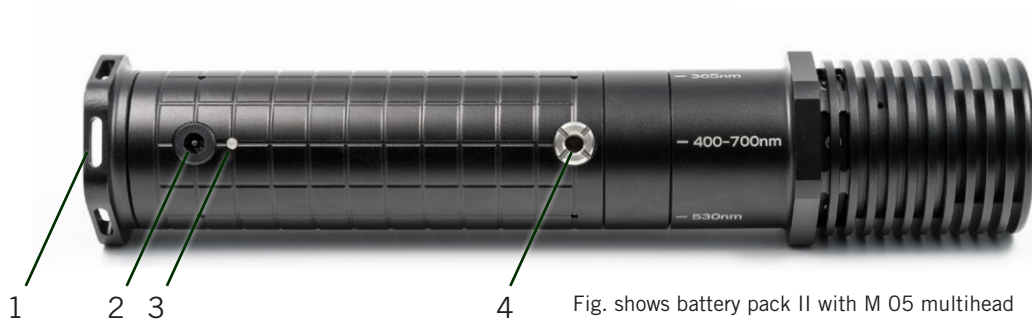


Fig. shows battery pack II with M 05 multihead

NEW M 05 CASE WITH 3 RECESSES FOR HEADS

Ideal for the safe transport of one multihead and two single wavelength heads, two battery packs and accessories. The shape of the recesses was coordinated with the new hexagonal design of the heads. An extra recess for the M 05 wide-angle attachment is integrated!

9200.0118 Case for Superlite M 05 Sets for 3 LED heads



LUMATEC®

Lumatec GmbH
Linienstrasse 9-13
82041 Deisenhofen
Germany
T +49-89-74 28 22 0
F +49-89-74 28 22 64
sales@lumatec.de
www.lumatec.de